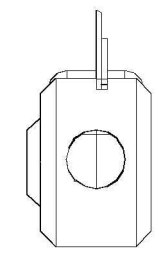
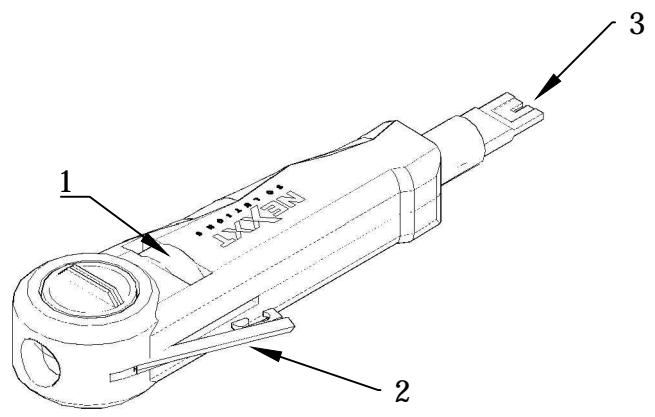
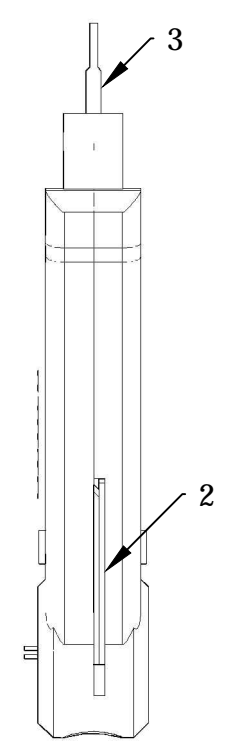
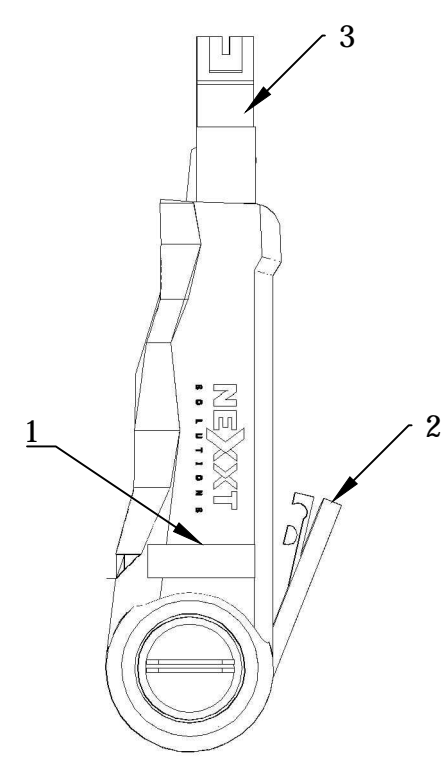
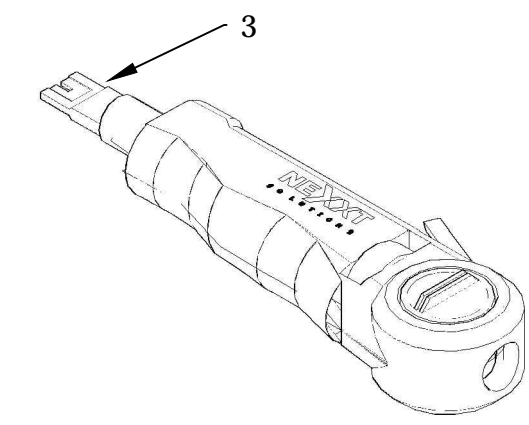


1 2 3 4 5 6 7 8

A  
B  
C  
D  
E  
F

A  
B  
C  
D  
E  
F



**\*Function:**  
SEATING, CUTTING AND TERMINATING CONNECTORS IN A VARIETY OF  
CROSS-CONNECT PANELS, BLOCKS AND KEYSTONE JACKS

**FEATURES**

- 1- SELECTABLE, SPRING COMPRESSION (HIGH/LOW) MECHANISM REQUIRES LESS HAND FORCE TO ACTUATE.
- 2- BUILT-IN HOOK AND SPUDGER TOOLS.
- 3- REVERSIBLE STEEL BLADE: ONE END TERMINATES AND CUTS OFF EXCESS WIRE; THE OTHER END TERMINATES WITHOUT CUTTING.
- FOR "110" AND OPTIONAL "88" TERMINATIONS.

<b>NEXXT</b> SOLUTIONS			
DATE: JUN 2014		DRAWING: ZARRRAGA	
ITEM N°: AW250NXT11			
DES :110/88 Punch Down Tool w/Blade			
SHEET	1 OF 1	SCALE	1:2

1 2 3 4 5 6 7 8